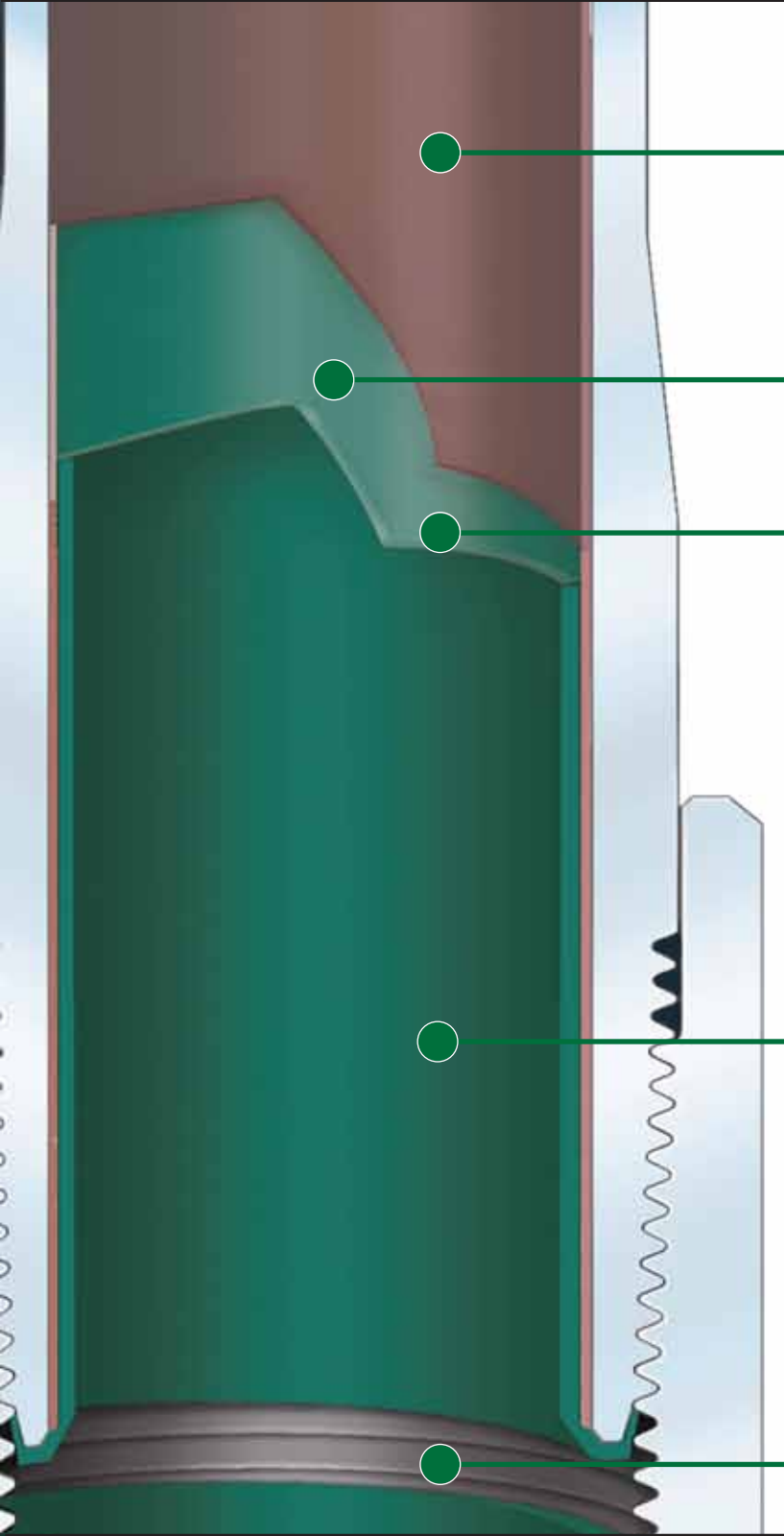




Fiberglass Lining
Plastic Coating
External Wrapping
Threading Services
Field Services
Pipe Services

AP GREEN

7812 West Hwy 80 • Midland, TX 79706 • 432.617.0242 • 432.617.0244 Fax



PRIMED AND COATED

Modified Epoxy based ID coating.

VERSATILITY AND PERFORMANCE

Historically proven in a wide variety of applications and environments.

TIGHT MOLECULAR CROSSLINK

Minimizes gas molecule penetration. Performs well in CO₂ and water injection.

CONTINUOUS PROTECTION

Coated in coupling to protect the "J" area.

AP GREEN

ID Coating for Tubing and Casing

Product Information

TYPE	Modified Epoxy Powder with Primer
MAX TEMPERATURE	300° F
APPLIED THICKNESS	.010" to .020"
PRESSURE	Up to yield strength of the pipe
PRIMARY SERVICE	CO ₂ , SWD, Oil and Gas injection and production service
PRIMARY APPLICATION	Production tubing and casing
LIMITATIONS	Maximum Temperature is dependent on total operating environment

Nominal Dimensions

2 3/8 4.7		2 7/8 6.5		3 1/2 9.3		4 1/2 11.6	
Nominal Thickness	Nominal Drift	Nominal Thickness	Nominal Drift	Nominal Thickness	Nominal Drift	Nominal Thickness	Nominal Drift
.010"-.020"	1.866"	.010"-.020"	2.312"	.010"-.020"	2.832"	.010"-.020"	3.840"

Improved Flow Efficiency

AP Green internal plastic coating provides a smooth friction-reduced surface to increase the flowing efficiency of produced or injected gases and fluids.